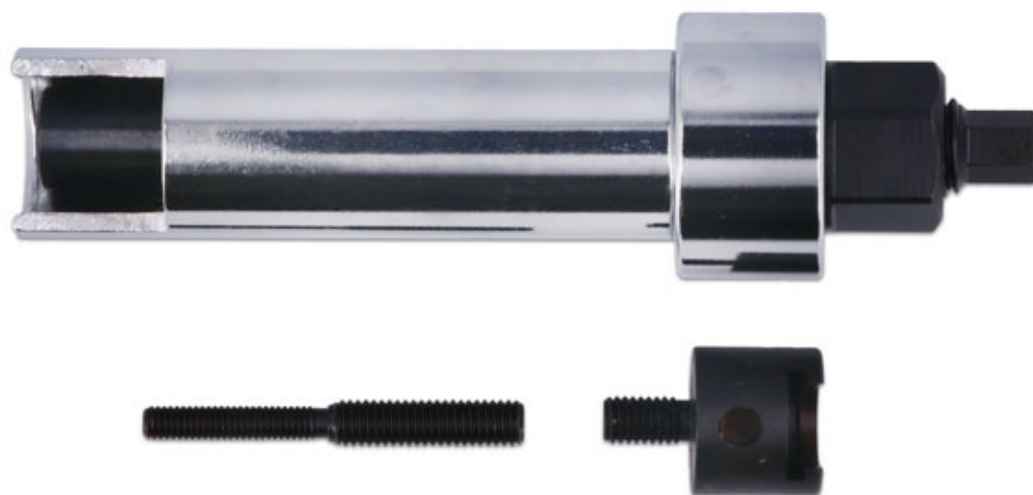


Clutch Fork Pivot Puller - for PSA, Fiat

The vehicles listed use a pull-type clutch release system, meaning the clutch fork pivot pin must first be removed before the transmission can be removed. The 8211 pin puller is specifically designed to allow the pin to be extracted while the transmission is still in the vehicle.



Additional Information

- Clutch release fork pin puller for pull type clutches fitted to Fiat and PSA vans.
- Applications include: Citroen Dispatch (1995 - 2006), Relay (1994 - 2006), Synergie MPV (1995 - 2002); Fiat Ducato (1994 - 2002); Peugeot 806 (1994 - 2002), Boxer (1994 - 2002) and Expert (1996 - 2006).
- Designed to attach to the clutch fork pin on the outside of the transmission and pull the pin before gearbox removal.
- Equivalent to OEM Fiat 1.870.873.000 and PSA 5708-T.G.
- Use in accordance with OEM instructions.

<http://lasertools.co.uk/product/8211>

